

4

3

2

1

B

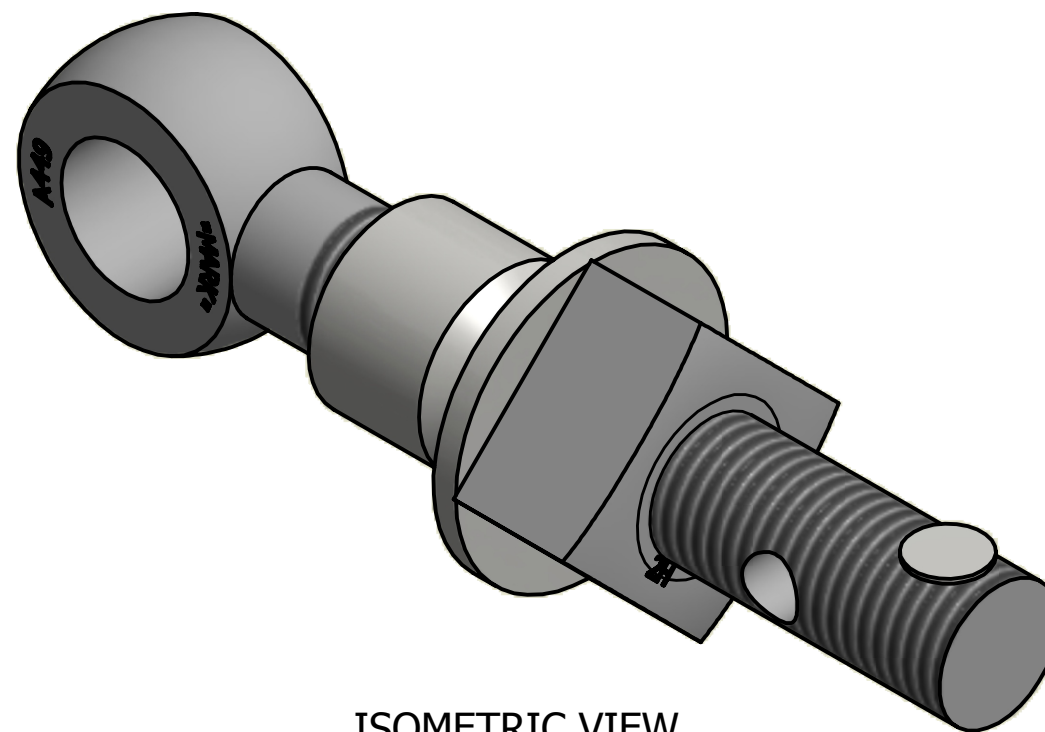
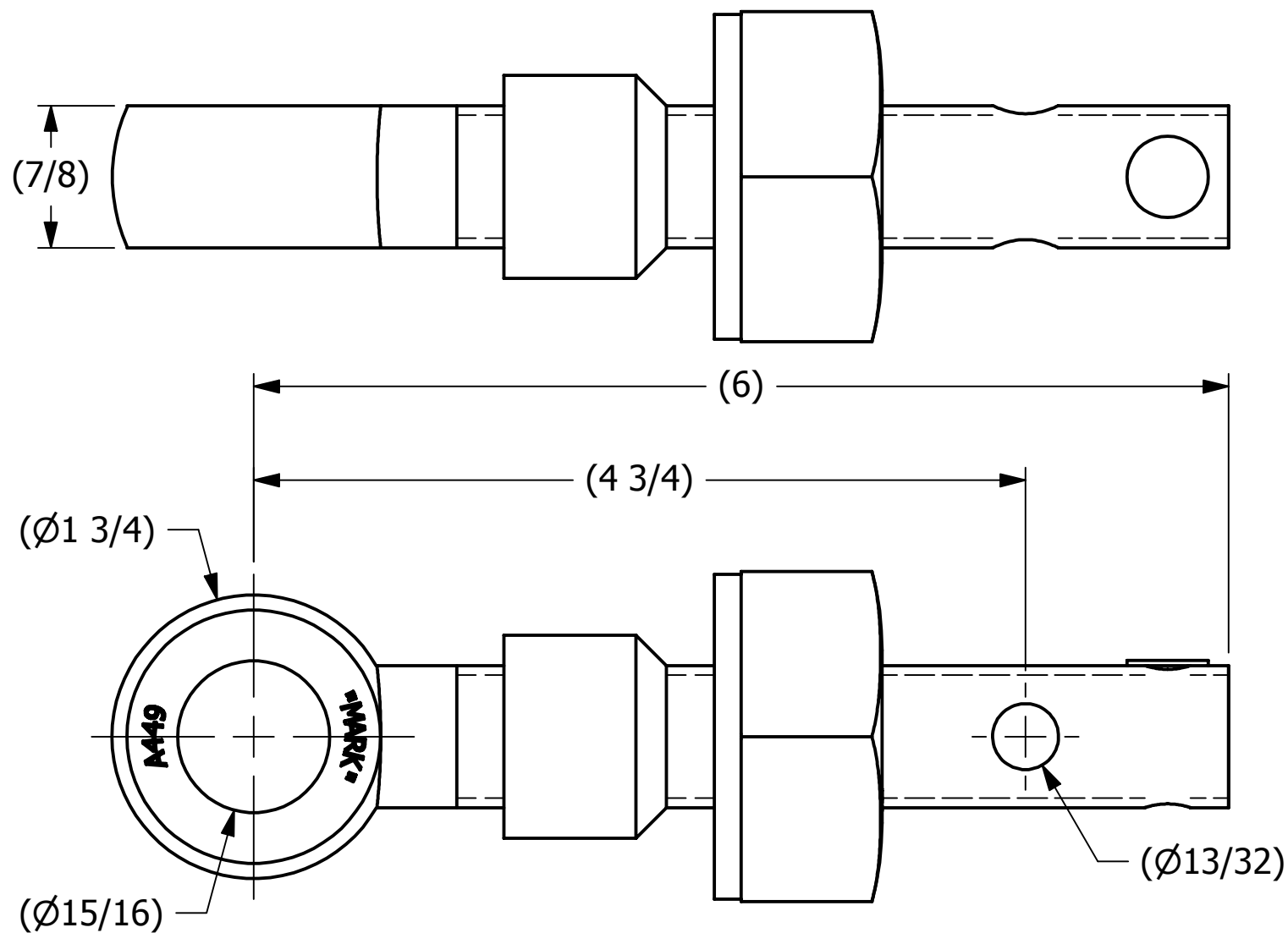
B

A

A

SALES DRAWING

SALES DRAWING



REV	BY	DATE	DESCRIPTION
B	RJP	11-9-15	UPDATED MARKING & TITLE BLOCK
A	CHL	4-29-10	NEW PART ADDED TO SYSTEM

UNLESS OTHERWISE SPECIFIED DIMENSIONAL TOLERANCES FRACTIONAL: $\pm 1/16$ X.XX: $\pm .03$ X.XXX: $\pm .015$ ANGULAR: $\pm 1^\circ$ DEBURR ALL SHARP EDGES. ALL MACHINED SURFACES TO HAVE A 125 RMS FINISH UNLESS NOTED OTHERWISE. THIRD ANGLE PROJECTION	DRAWN BY:	CHL
	CHECKED BY:	VD
	PROTOTYPE BY:	CHL
	PROTOTYPE DATE:	4/5/2010
	APPROVED FOR PRODUCTION BY:	VD
	PRODUCTION DATE:	4/29/2010

SALCO PRODUCTS, INC.		
PART NAME: EYEBOLT ASSEMBLY 7/8"X6"		
MATERIAL: CARBON STEEL, ASTM A449 TYPE 1		
PROJECT #: WAG0801	SHEET #: 1 OF 1	SCALE: 1:1
DRAWING #: B28440	PART #: EB786HFTAG5TC3	

THIS PRINT, PROPERTY OF SALCO PRODUCTS INC., CONTAINS PROPRIETARY INFORMATION AND MUST NOT BE COPIED, REPRODUCED, OR USED DETRIMENTALLY TO OUR INTEREST.